

# CLP Recessed Ceiling Puck Light

RECESSED MOUNT LIGHTING

LM79  
LM80

IP51



## PROJECT INFORMATION

Project Name \_\_\_\_\_

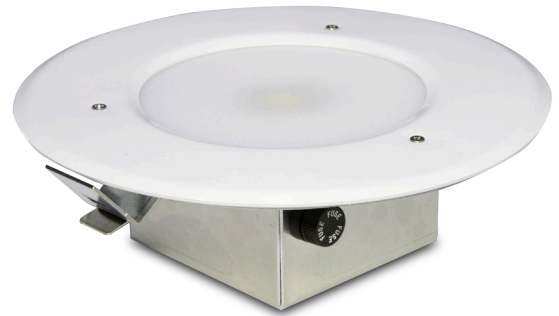
Catalog No. \_\_\_\_\_

Date \_\_\_\_\_

## DESCRIPTION

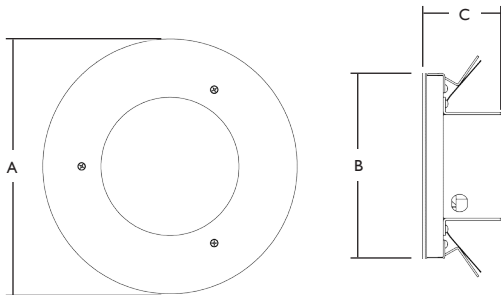
The ActiveLED® CLP Recessed Ceiling Puck Light is ideally suited for accent and security lighting in overhangs and hallway ceilings. Available in 6 Watts, the Puck Light offers a clean, even light pattern. The Puck Light has a low profile of only 2.25" and easily fits in a small ceiling space.

Applications include: Hallways, Non Work Areas, Indoor and Overhangs.



CLP06 with White Bezel (Included)

## DIMENSIONS

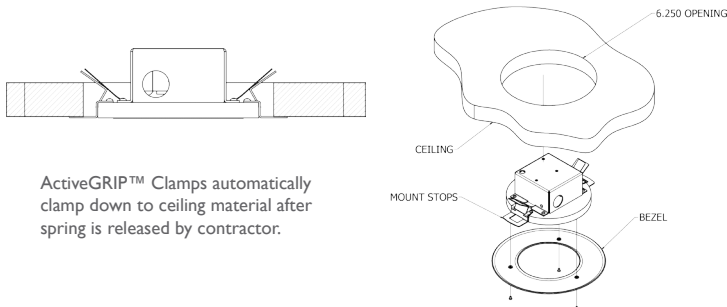


A	B	C
7.38"	5.75"	2.35"
15.57cm	14.605cm	5.969cm

## FEATURES

- Low Profile and Weight - The Puck Light is ideal for installations where height and / or weight are serious considerations.
- LED Driver - Supplied with a voltage specific driver for a cost effective solution.
- ThermalDRAW™ Cooling Technology - Patented cooling technology ensures LED components will equal or exceed warranty.
- ActiveGRIP™ Installation Clamps - These built-in clamps make for simple and secure installation to ceilings up to a maximum thickness of 1.25 inches.
- Battery Backup - This option provides 48V DC support for an Emergency Battery Backup Unit (BBU sold separately) creating an Emergency LED Light Fixture.
- Warranty - 10 Year Warranty on LED elements, fixture housing, and LED Driver. See page 2 for additional warranty information.

## MOUNTING OPTIONS



ActiveGRIP™ Clamps automatically clamp down to ceiling material after spring is released by contractor.

LIGHT OUTPUT

**610** lm

WATTS

**7** W

LUMENS per WATT

**87.6** lm/W

LIGHT COLOR (CCT)

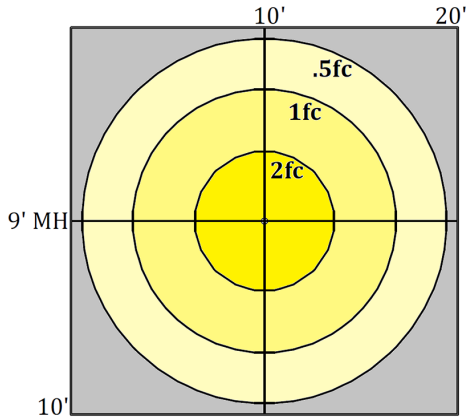
**5160** K

NOTE: Lighting Facts shown for CLP06W only.  
For more Lighting Facts, visit [lightingfacts.com](http://lightingfacts.com) for the Label and Label Reference Guide.

**ActiveLED®**  
Energy Efficient Lighting and Controls



## PHOTOMETRICS



## PERFORMANCE DATA

AMBIENT TEMPERATURES	0 HOURS	45,000 HOURS	90,000 HOURS
77°F (25°C)	1.00	0.99	0.99
104°F (40°C)	1.00	0.98	0.96
131°F (55°C)	1.00	0.96	0.92
140°F (60°C)	1.00	0.95	0.90

Projected Lumen Maintenance (TM-21)

NOTE: Calculated using data collected according to LM-80 lumen maintenance on the LED package.

NOTE: Photometrics shown for CLP06 only.

## GENERAL SPECIFICATIONS

Input Voltage	Voltage Specific, Specified with Order and Programmed at Factory	LED Optics	IP51 rated, thermally bonded LEDs, borosilicate glass lens w/silicone sealing. Patented thermal management mounting system
Input Power	6 Watts	CCT	2700K, 3000K, 3500K, 4000K, or 5000K
Power Factor	> 0.77 (at ~120 Volts)	Housing	Fabricated aluminum 0.90 thickness, for heat sinking parts, stainless steel hardware.
THD	Total Harmonic Distortion (THD) <20%	Finish	Powder coated after fabrication
Driver	Integral driver with integrated heat sink	Dimensions	5.75" outer diameter 2.25" deep fits in 6" ceiling, maximum thickness 1.25" (14.6 x 5.7 cm) (3.175cm)
Operating Temperature	-58° F to 149° F (-50° C to 65° C)	Weight	With Bezel = 1.2 lb (0.6 Kg)
Lumen Lifetime	L90/90K Hrs @ 60° C (90,000 Hrs with 90% Luminous Flux)		

## WARRANTY

Ten (10) Year Warranty - LEDs, Fixture, and Driver shall conform to its published specifications under normal usage and operating conditions including "no light loss" of more than 10% at the end of the period. LEDs will produce at least 90% of their initial light output with no color shift after 90,000 hours of operation.

## LISTINGS AND TESTS

CE, suitable for interior locations. RoHS compliant. IP51 Rated optical assembly. LM-79 and LM-80 info available. Conforms to FCC Part 15.19 Subpart B Class A. Made in USA - ARRA Compliant. DLC does not list Down Lights.

## PUCK LIGHT ORDERING INFORMATION

Example: CLP061-C-B50R06BWH

Style	Voltage	Mount	Diffuser	CCT	Watts	Options	Color
<b>CLP06</b> 6" Puck Light	<b>1</b> - 100/120 VAC, Single Voltage 60 Hz <b>2</b> - 277 VAC, Single Voltage 60 Hz <b>3</b> - 100 VAC, Single Voltage 60 Hz <b>4</b> - 208 VAC, Single Voltage 60 Hz <b>5</b> - 240 VAC, Single Voltage 50 Hz <b>N</b> - None <sup>1</sup> <b>E</b> - 45/48 VDC Driver <sup>2</sup>	<b>C</b> Ceiling Recessed Mount	<b>B</b> - Translucent	<b>50</b> - 5,000K <b>40</b> - 4,000K <b>35</b> - 3,500K <b>30</b> - 3,000K <b>27</b> - 2,700K	<b>R06</b> 6W LED, 7W Max	<b>B</b> Bezel	<b>BK</b> - Black <b>BR</b> - Brown <b>BZ</b> - Bronze <b>G</b> - Charcoal <b>SL</b> - Silver <b>WH</b> - White <b>X</b> - Custom

<sup>1</sup> Requires remote driver. Consult factory.

<sup>2</sup> No AC Support.